



DC AMPERE AND VOLT METER

DC-24

APPLICATIONS

Battery Charger

Solar Equipments

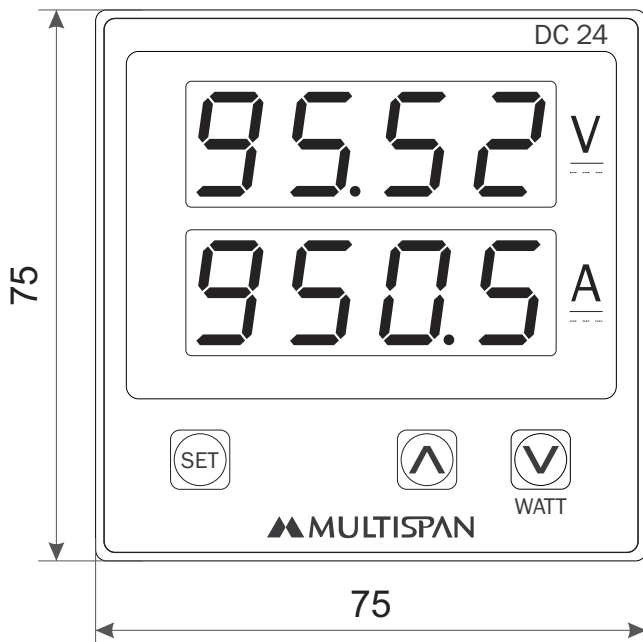
DC Motor Parameter Indications

Led Light Testing Panel

Extrusion Plants

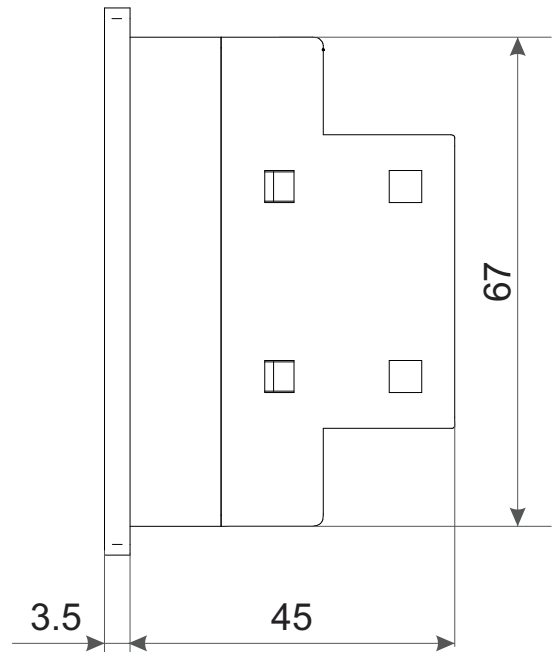
Mechanical Dimensions

Body Dimensions



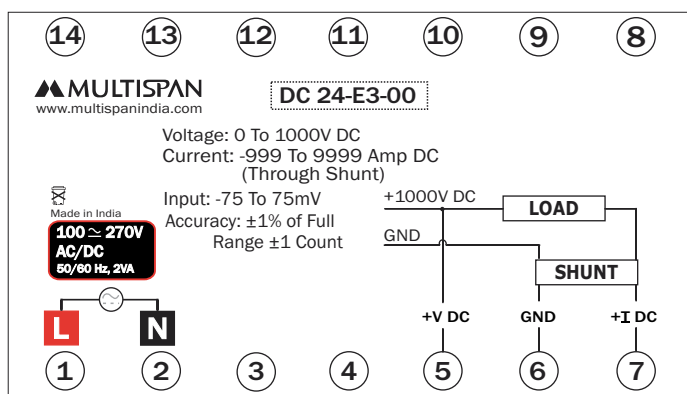
FRONT VIEW

All dimensions are in mm

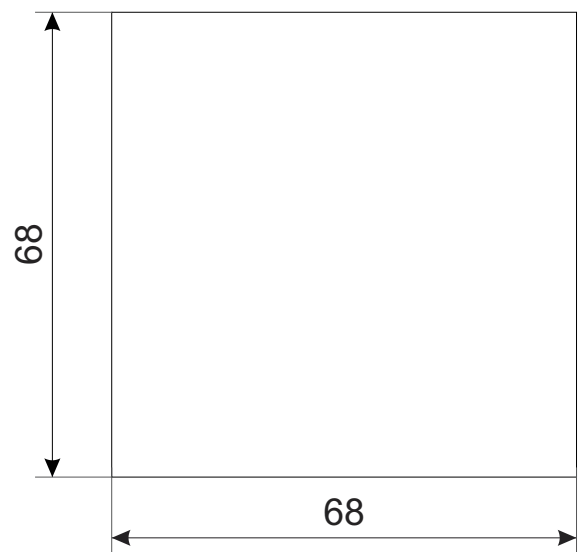


RIGHT SIDE VIEW

Connection Diagram



Panel Cutout



TECHNICAL DATA

Input Voltage	0 to 1000V DC
Input Current	Through External Shunt (-75 to 75mV DC)
Accuracy	±1% of Full Range ± 1 Count

Features

Shunt Selectable 5 to 9999 Ampere,
Calculated Parameter : Voltage (0 to 1000V),
Current (0000 to 9999A DC)
Through External Shunt,
Watt (0000 to 9999 KW)

Display & Keys

Display	Upper	4 Digit, 1Line 7 seg. 0.56" Red LED Display
	Lower	4 Digit, 1Line 7 seg. 0.56" White LED Display
Key	SET, INC, DEC/WATT	

Input

Voltage DC

Direct Voltage	0 to 1000V DC
Burden	<0.2 VA

Current DC

Current input	Through External Shunt (-75 to 75mV DC)
Burden	<0.2 VA
Current Range	-999 to 9999

Accuracy

±1% of Full Range ± 1 Count

Environmental Characteristics

Humidity	95% RH Non-condensing
Working Temperature	0 to 55 °C
Storage Temperature	0 to 70 °C

Calculated Parameters

	Range	Accuracy
DC Voltage	0.00 - 49.99 V DC	1 % OF 49.99V
	50.0 - 199.9 V DC	1 % OF 199.9V
	200.0 - 399.9 V DC	1 % OF 399.9 V
	400.0 - 1000 V DC	1 % OF 1000 V
DC Current	-999 - 9999A DC (1 % of FSD)	
WATT	0000 - 9999 KW (1 % of FSD)	

Auxiliary Power Supply

Power Supply	100 to 270V AC/DC , 50/60Hz
Burden	2VA

Mechanical Characteristics

Mounting Type	Panel Mount	
Dimension (HxWxD) mm	75 x 75 x 45	
Panel Cutout (HxW) mm	68 x 68	
Material	Front	Polycarbonate (PC)
	Enclosure	ABS
Terminal Screw Size	M3.5	
Screw Torque (N.m)	0.5	
Wire Gauge (AWG)	26-14	
Weight (Approx) gms	Unpacked :	225
	Packed :	280
Accessories	1 Pair of Mounting Clamps	